



FRBE77ASP

FRBE77A/SP

Catalogo parti di ricambio valido
dalla matricola 0000001 (01.10.2013) ad oggi (07.09.2020)

Catalogue pieces detachees
valable à partir du numero de Série n. 0000001 (01.10.2013) jusqu'à aujourd'hui (07.09.2020)

Ersatzteilkatalog
gültig ab Serien-Nr. 0000001 (01.10.2013) bis heute (07.09.2020)

Spare parts catalogue
valid from serial no. 0000001 (01.10.2013) up today (07.09.2020)

Catálogo de peças de reposição
válido do número de série 0000001 (01.10.2013) até hoje (07.09.2020)

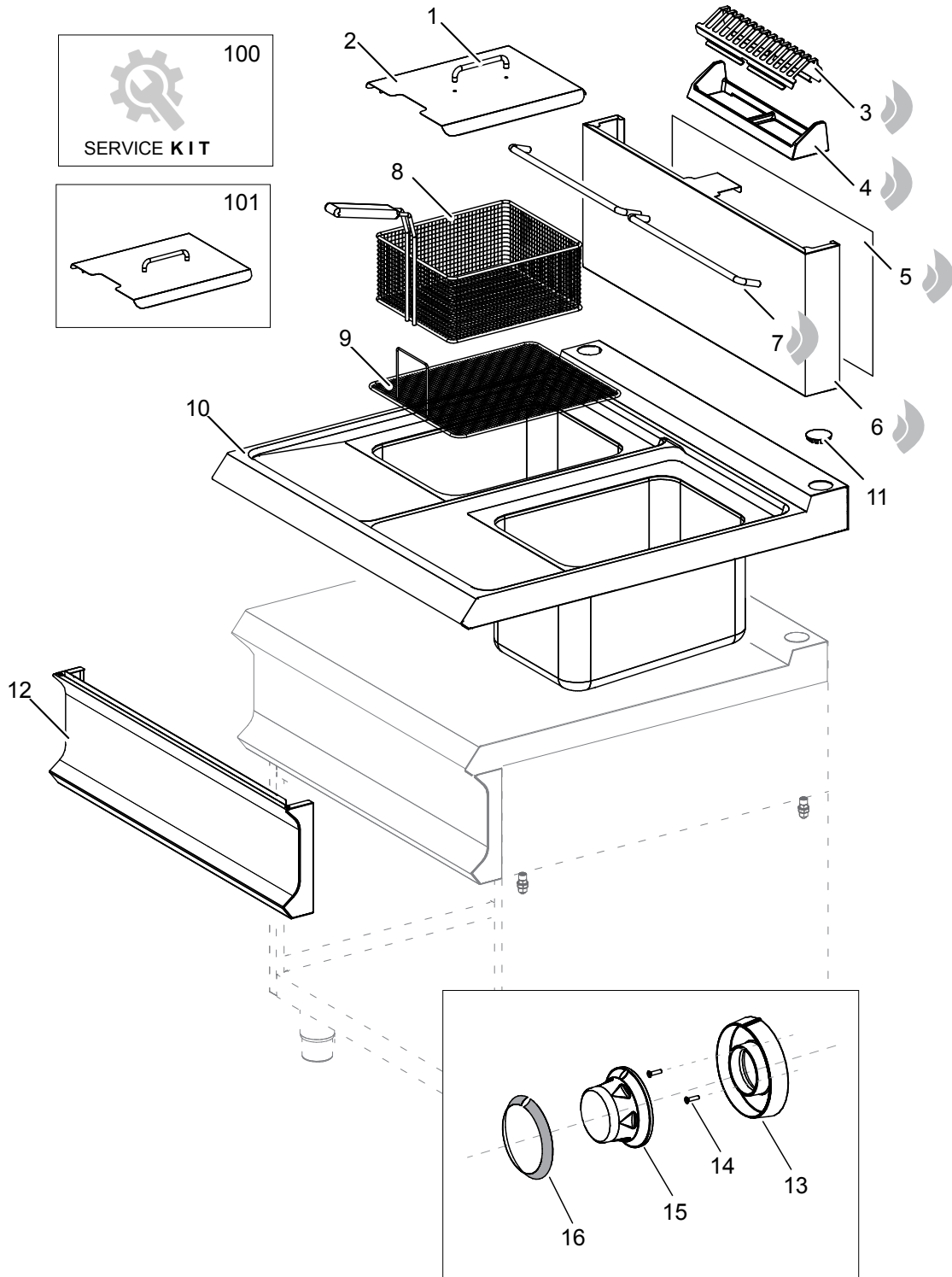
Le informazioni sono considerate non vincolanti. Le immagini rappresentate sono puramente indicative. Il produttore si riserva il diritto di apportare modifiche in qualsiasi momento senza preavviso.

Les informations données ne sont pas contraignantes. Les images montrées sont à titre indicatif. Le producteur se réserve le droit d'apporter des modifications sans préavis.

Die im vorliegenden Dokument aufgeführten Informationen und Bilder sind unverbindlich. Der Hersteller behält sich das Recht vor, jederzeit ohne vorherige Ankündigung Änderungen vorzunehmen.

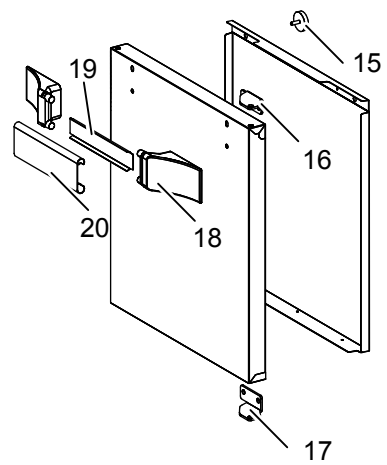
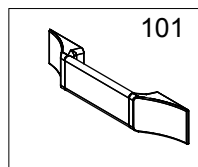
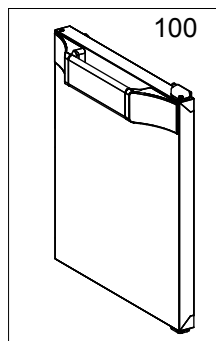
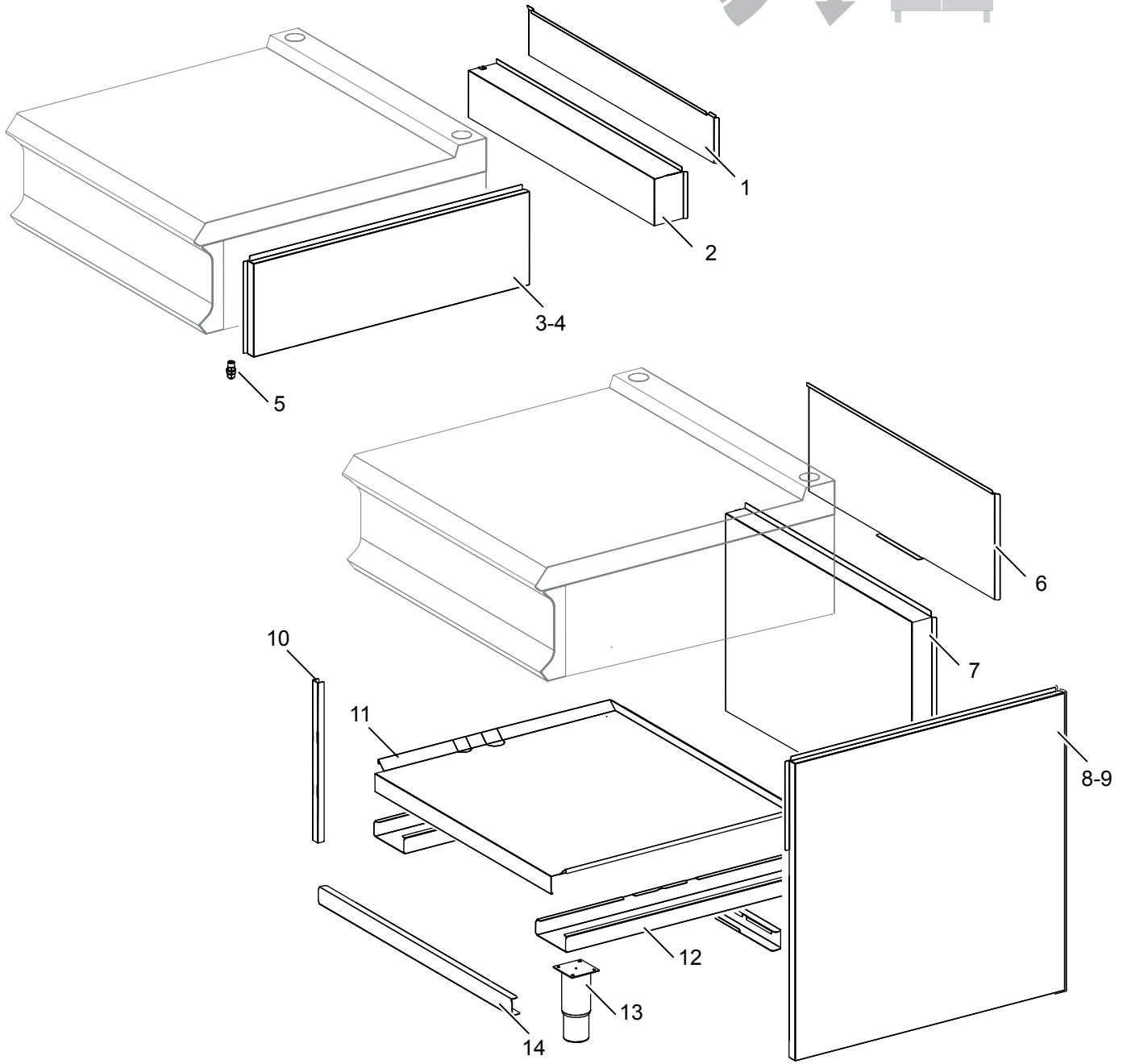
Info and drawing could be slightly different from reality and they cannot be considered as compelling. Manufacturer can modify info anytime without forewarning.

As Informações e desenhos podem estar um pouco diferente da realidade e são puramente indicativas. O fabricante pode modificar estas informações a qualquer momento sem aviso prévio.



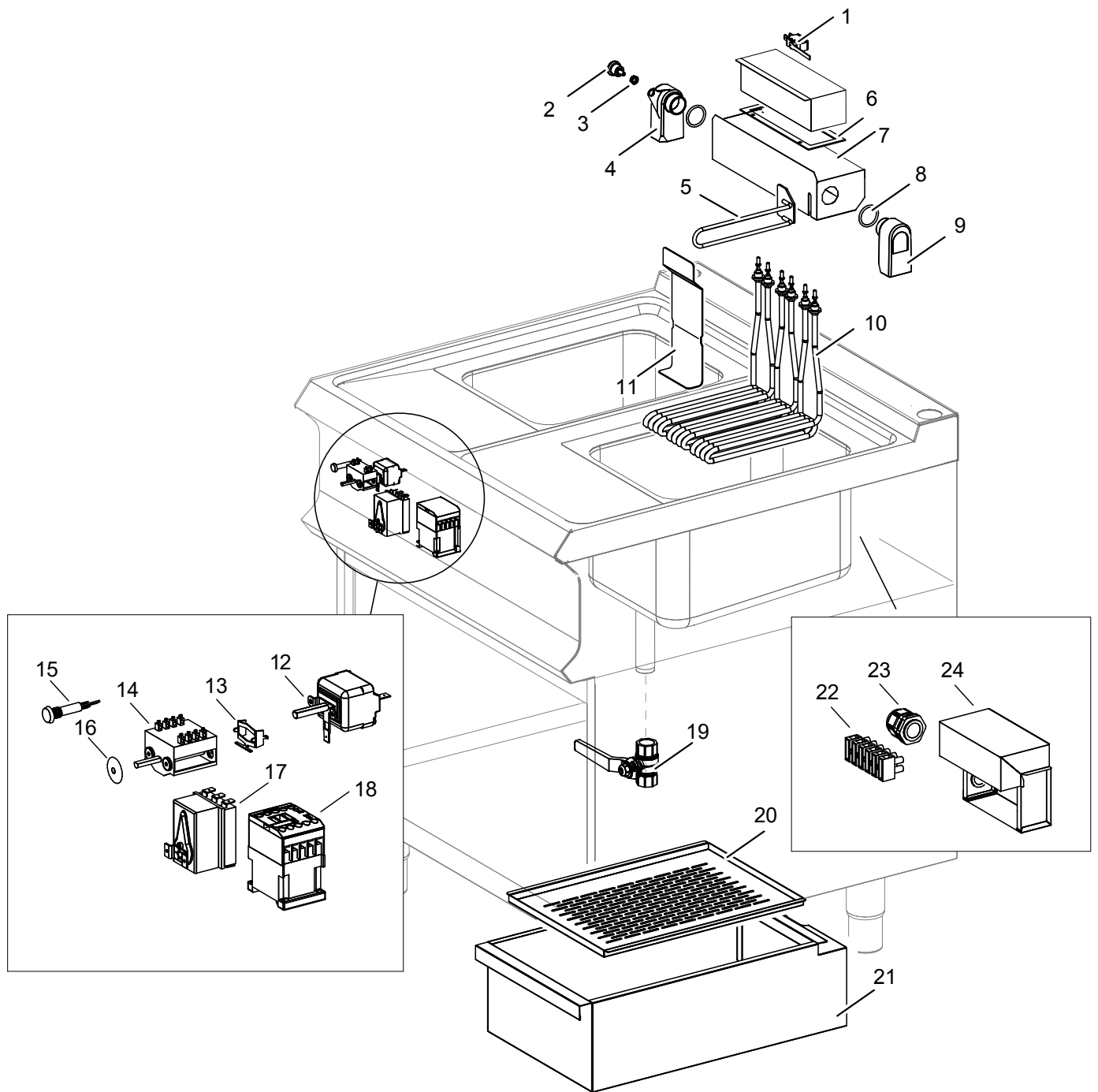
Listino componenti per pagina 1

1	RTBF800020	MANIGLIA MANETTE HANDGRIFF HANDLE	
2	186764	COPERCHIO VASCA COUVERCLE CUVE BECKEN-DECKEL TANK LID	
8	A650000006	CESTELLO X FRIGGITRICE PANIER POUR FRITEUSE KORB FUER FRITEUSE BASKET FOR FRYER	
9	186448	GRIGLIA SUPPORTO CESTELLO GRILLE SUPPORT PANIER ROST FUER KORBHALTER BASKET SUPPORT GRID	
10	200166	PIANO + VASCA SURFACE + CUVE TOP+TANK ARBEITSPLATTE + WANNE	
11	200787	TAPPO COPRIFORO BOUCHON STOPFEN STOPPER	
12	200523	CRUSCOTTO PANNEAU DE CONTROLE FRONT BLENDE CONTROL PANEL	
13	200135	GHIERA MANOPOLA BAGUE ROSETTE NUT	
14	201660	VITE M3X10 VIS M3X10 SCHRAUBE M3X10 SCREW M3X10	
15	200131 <i><u>Recommended spare parts</u></i>	CORPO MANOPOLA COMMUTATORE POIGNEE COMMUTATEUR UMSCHALTER-KNOPFKOERPER COMMUTATOR KNOB	
16	200343 <i><u>Recommended spare parts</u></i>	ANELLO MANOPOLA TERMOSTATO RING THERMOSTAT KLEBERING KNEBEL THERMOSTAT THERMOSTAT RING	
100	ECS7013	RICAMBI CONSIGLIATI FRBE77 RECHANGES CONSEILLÉS POUR FRBE77 EMPFOHLENE ERSATZTEILE FRBE77 RECOMMENDED PARTS FOR FRBE77	
101	RIC0004954	KIT COPERCHIO FRBE77A KIT COUVERCLE FRBE77A KIT ABDECKUNGSSATZ FRBE77A KIT COVER FRBE77A	



Listino componenti per pagina 2

6	200036	POSTERIORE ARRIERE RÜCKWAND BACK SIDE	
7	200033	POSTERIORE ARRIERE RÜCKWAND BACK SIDE	
8	200031	FIANCO TOLE LATERAL SEITENWAND LATERAL SIDE	
9	200032	FIANCO TOLE LATERAL SEITENWAND LATERAL SIDE	
10	200002	RINFORZO FIANCHI RENFORCEMENT DE LA HANCHE HÜFTVERSTÄRKUNG HIP REINFORCEMENT	
11	200678	PIANO INFERIORE ETAGE INFERIEUR UNTERE FLACHE LOWER FLOOR	
12	200030	TRAVERSA PIEDINI PIEDS CROISÉS FÜßE KREUZEN CROSS FEET	
13	RTCU700277	PIEDE PIED FUSS FOOT	
14	200029	TRAVERSA ANTERIORE/POSTERIORE TRAVERSE AVANT / ARRIÈRE VORDERER / HINTERER QUERTRÄGER FRONT / REAR CROSS MEMBER	



Listino componenti per pagina 3

1	RTBF900277 <i><u>Recommended spare parts</u></i>	MICROINTERRUTTORE MICRO INTERRUPTEUR MIKROSCHALTER MICRO SWITCH	
2	186769	FERMO VERROUILLAGE SPERRUNG BLOCK	
4	200914	CERNIERA CHARNIERE SCHARNIER HINGE	
5	200990	MANIGLIA BOX BASCULANTE POIGNÉE DE BOÎTE INCLINABLE KIPPKASTENGRIF BOX HANDLE TILTING	
6	188866 <i><u>Recommended spare parts</u></i>	GUARNIZIONE ADESIVA GUARNITURE ADHESIVE DICHTUNG ADHESIVE GASKET	
7	200307	COVER RE.TILTING COUVERTURE RÉSISTANCES ABDECKUNG ELEKTRISCHE WIDERSTÄNDE HEATING ELEMENTS COVER	
8	186181 <i><u>Recommended spare parts</u></i>	GUARNIZIONE O-RING O-RING O-RING	
9	200913	CERNIERA CHARNIERE SCHARNIER HINGE	
10	185599 <i><u>Recommended spare parts</u></i>	RESISTENZA 9KW RESISTANCE 9KW HEIZKÖRPER 9KW HEATING ELEMENT 9KW	
11	186264	PROTEZIONE CAPILLARI PROTECTION CAPILLAIRE THERMOSTAT THERMOSTAT KAPILLARESCHUETZ THERMOSTAT CAPILLARY PROTECTION	
12	186774 <i><u>Recommended spare parts</u></i>	TERMOSTATO DI LAVORO T.185°C THERMOSTAT DE TRAVAIL T.185°C ARBEITSTHERMOSTAT T.185°C WORKING THERMOSTAT T.185°C	
13	RTCU900112 <i><u>Recommended spare parts</u></i>	STAFFA ALTA COMMUTATORE/TERMOSTATO CROCHET POUR COMMUTATEUR/THERMOSTAT HOEHER HALTEBUEGEL UMSCHALTER/THERMOSTAT HIGH BRACKET COMMUTATOR/THERMOSTAT	
14	RTCU900110 <i><u>Recommended spare parts</u></i>	COMMUTATORE TERMOSTATO COMMUTATEUR POUR THERMOSTAT TAKTSCHALTER THERMOSTAT COMMUTATOR	
15	166466 <i><u>Recommended spare parts</u></i>	LAMPADINA SPIA ARANCIONE LAMPE DE SIGNALATION ORANGE ORANGE KONTROLLEUCHTE ORANGE LAMP LIGHT	
16	RTCU800185 <i><u>Recommended spare parts</u></i>	GUARNIZIONE ASTA COMMUTATORE JOINT POUR BARRE DU COMMUTATEUR DICHTUNG WELLE TAKTSCHALTER GASKET FOR COMMUTATOR ROD	

17	186775 <i>Recommended spare parts</i>	TERMOSTATO DI SICUREZZA THERMOSTAT DE SECURITE SICHERHEITSTHERMOSTAT SAFETY THERMOSTAT	
18	186773 <i>Recommended spare parts</i>	RELE' 3RT2016-1AP01 66 PSQ RELAIS SCHÜTZ RELAIS	
19	177037 <i>Recommended spare parts</i>	RUBINETTO SCARICO OLIO COMPLETO DI LEVA COMANDO ROBINET VIDANGE D'HUILE OEL-ABLASSHAHN OIL DRAIN TAP	
20	200679	FILTRO VASCA R/OLIO FILTRE RECIPIENT D'HUILE FILTER FUER OELBECKEN OIL TANK FILTRE	
21	200100	VASCA R/OLIO RECIPIENT DE L'HUILE OELBECKEN OIL TANK	
22	RTBF900045	MORSETTIERA BORNE KLEMMLEISTE TERMINAL BOARD	
23	RTBF700021	F/CAVO PG16 SERRE CABLE PG16 KABELDURCHFÜHRUNG PG16 CHOCK PG16	
24	201571	GR.PROTEZIONE MORSETTIERA ARMADIATA PROTECTION DE BLOC DE TERMINAL DE CABINE SCHRANK TERMINAL BLOCK SCHUTZ CABINET TERMINAL BLOCK PROTECTION	